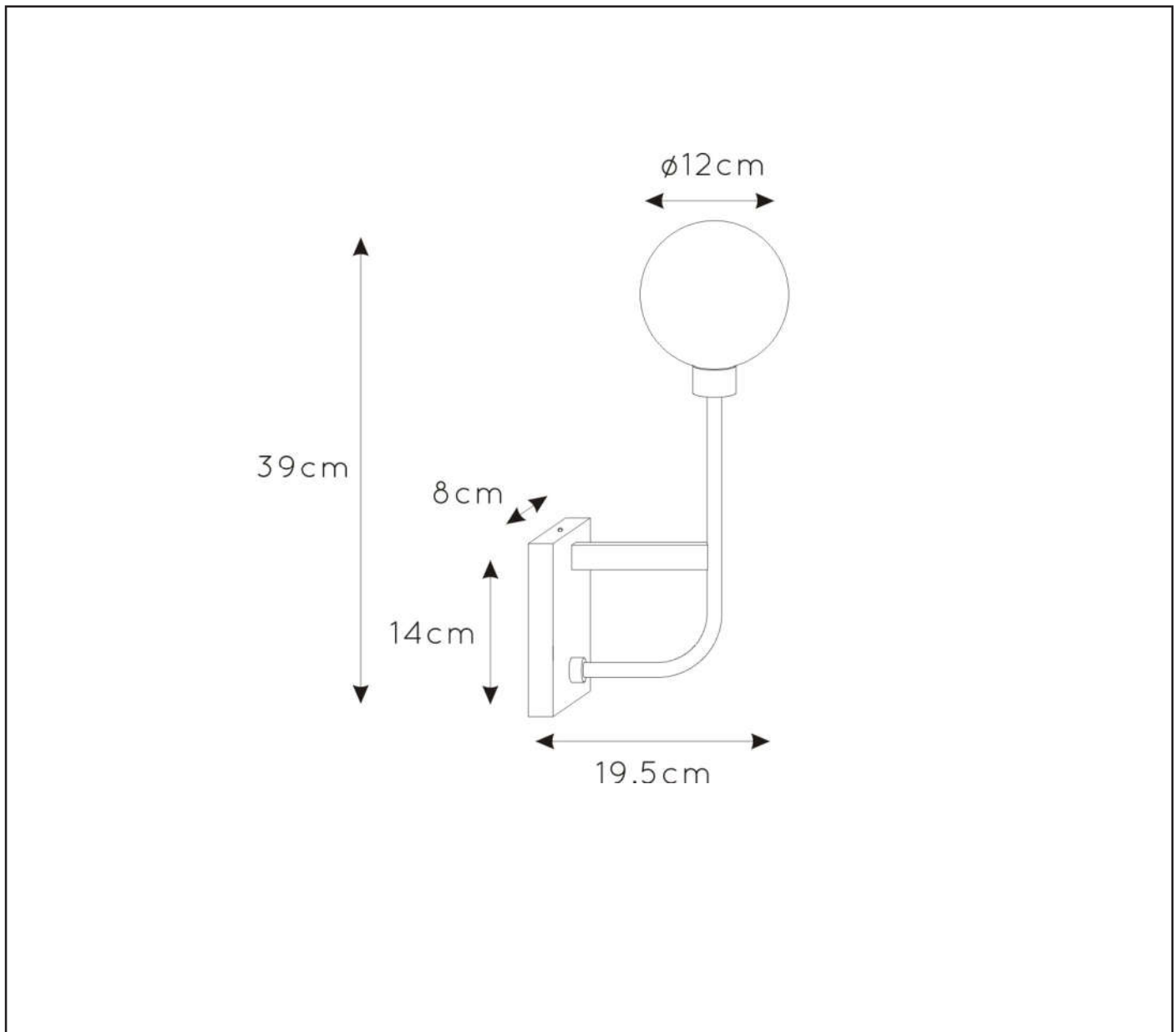


BEREND

Item number :30266/01/30

EAN code: 5411212302649



LUCIDE

INSTALLATION DRAWING SPECIFICATIONS

